

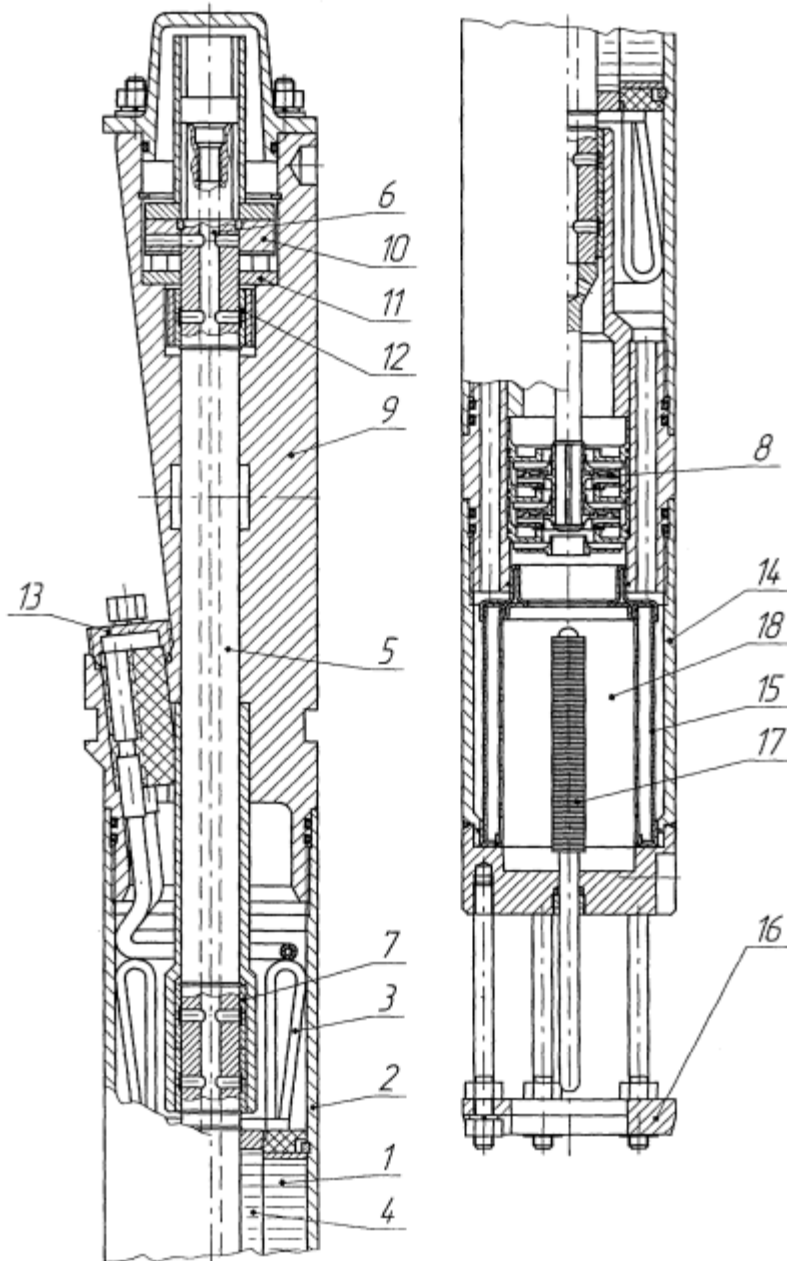
№2246164. Реферат

FIELD: electrical engineering; submersible oil-filled motors.

SUBSTANCE: proposed submersible oil-filled motor has frame-mounted stator, rotor with hollow shaft, head, filter-accommodating base, current lead-in assembly, oil-filled space, and oil circulating components; in addition it is provided with heat pipe whose evaporative part is disposed in oil-filled space and condensing part, outside of motor.

EFFECT: enhanced reliability of motor.

3 cl, 2 dwg



Фиг. 1