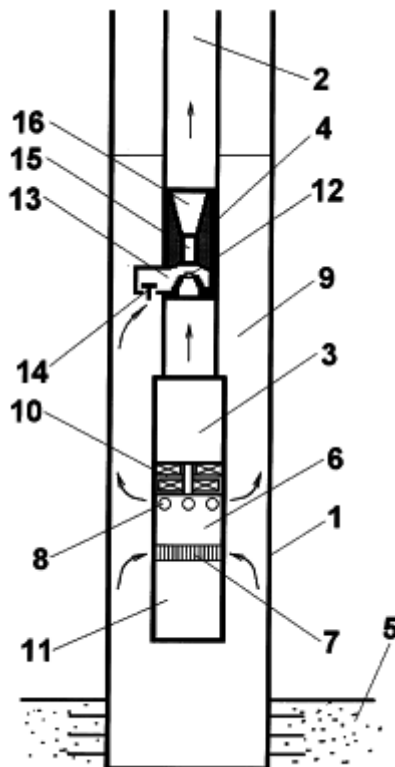


№2274731

FIELD: oil production, particularly to produce oil from well characterized with high and ultrahigh gas factor.

SUBSTANCE: method involves pumping-out product from formation to well; partially separating free gas from liquid; supplying gas-liquid mix containing residual gas to pump and injecting thereof to jet device nozzle; ejecting part of well product by jet device from hole annuity into tubing string; supplying part of gas in hole annuity; elevating product to day surface and regulating pressure in hole annuity. Gas-liquid mix containing residual gas is dispersed before gas-liquid mix supplying into pump. During gas-liquid mix supplying into jet device pump gas-liquid mix jet is shaped to prevent acoustic nozzle chocking. Device comprises pump and jet device connected to tubing string and lowered in well. Gas-separation and dispersion unit is installed at pump inlet. The jet device is provided with nozzle of diaphragm type.

EFFECT: increased efficiency and extended field of application for pumping-ejector oil production by elimination of hazardous residual gas influence on pump operation and prevention of acoustic jet device nozzle chocking during gas-liquid mixture injection. 8 cl,
5 dwg



Фиг. 1