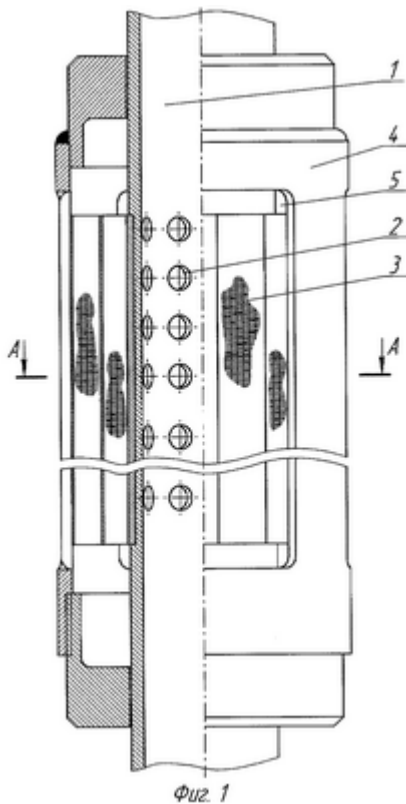


№2289680. Реферат

FIELD: oil extractive industry, in particular, engineering of filtering device for preventing ejection of sand from collector into product column together with liquid or gas being extracted.



SUBSTANCE: expanding well filter consists of perforated body and filtering element with dimensions changing in radial directions, made in form of several spring-loaded blades with curvilinear shape in radial plane and rectilinear shape in axial plane. Blades are held along one edge in the body and are positioned inside cylindrical cover having vertical grooves, with possible extension of free edges through aforementioned grooves until forming a cylindrical surface beyond the limits of cover by extended sections of blades.

EFFECT: prevented ejection of rock particles from productive bed into product column due to full coverage of perforations present thereon by filtering element, resulting in increased period between maintenances and increased productiveness of well.

7 dwg